

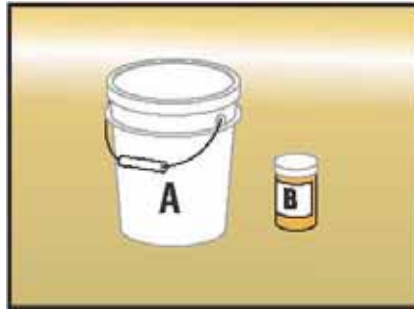
Application Guide

Manual / Kit Application

Powercrete® R-95

Powercrete R-95 is a 100% Solids Epoxy used for corrosion and abrasion protection. This coating is applied over clean, bare steel and adjacent plant applied or mainline coatings. The application is fast and easy. Simply follow these guidelines.

1. Product



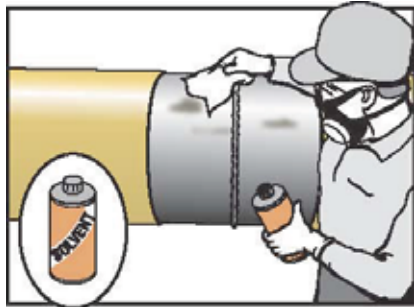
1. The 2-component epoxy coating is supplied in pre-measured kits. Part A (large container) is the Base and Part B (small container) is the curing agent.

2. Application Kit (ordered separately)



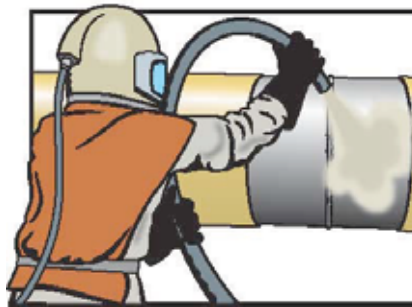
2. The "Application Kit"* contains a mask, Wet Film Gauge, Gloves, trowels, a PE stir stick, and abrasive paper.

3. Surface Preparation



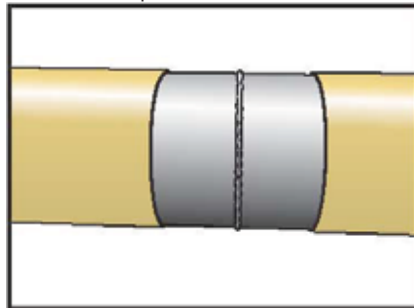
3. Insure that surfaces are clean of grease, oil, salts and other contaminants. If necessary, use Acetone, MEK or other suitable solvent. Perform cleaning when pipe is 3°C (5°F) above dew point.

4. Surface Preparation



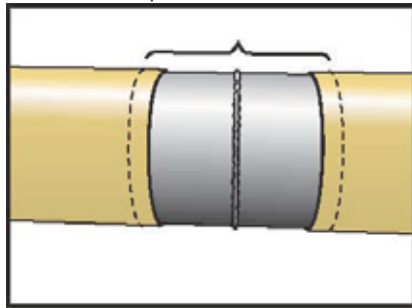
4. Blast clean surfaces to a near white ISO-8501, NACE No. 2, SA-21/2 (SSPC-SP 10) or better using particle blasting (sand or other). Sweep blast adjacent FBE or CTE coating. 50 mm (2") to either side of cutback (the bare steel area)

5. Surface Preparation



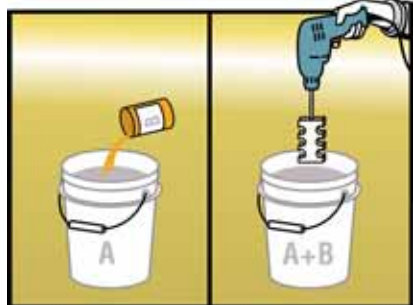
5. A 2.5-4 mil (63.5-101.6 micron) surface profile with sharp angularity. Burnishing or polishing must be avoided. Surface preparation can be controlled using surface profile tape. Dry surface and insure ideal surface preparation.

6. Surface Preparation



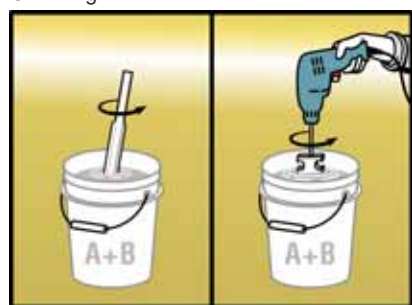
6. While not always necessary, preheating can be useful just prior to application.
A. To eliminate moisture, preheat the cutback area to approximately 40°C (104°F).
B. To accelerate curing, preheat the cutback area to approximately 90°C (194°F).

7. Combining & Mixing



7. Warm parts A & B to 20°C (68°F) and mix by pouring all of part B into part A. Thoroughly scrape container and lid of B. Slowly begin mixing to avoid introducing air into the mixture.

8. Mixing

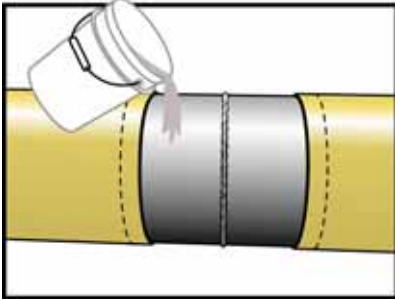


8. Use a mixing speed that uniformly blends the 2 parts, but does not create a vortex in the mixture or spillage.

Note: Between 20°C (68°F) & 40°C (105°F), mix for 2 - 3 minutes with a drill mixing paddle or 4 - 5 minutes with the stir stick. Blend both parts to create a uniform color with no streaks.

*Berry Plastics does not supply these kits.

9



9. Reconfirm that the application temperature is above 10°C (50°F)* & 3°C (5°F)* above the dew point. Then slowly pour mixed epoxy onto pipe. See "Tips" below for additional suggestions.

10

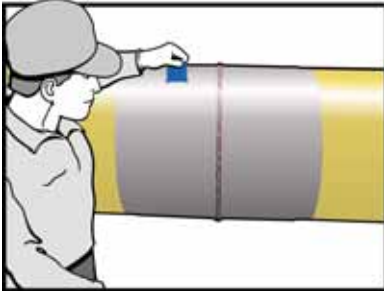


10. Use trowels, brush or roller to apply required minimum thickness of coating to the Field Joint. Cover at least 50mm (2") of the adjacent mainline coating.

Tip: Masking tape may be applied to left & right 50mm (2") beyond cutback (see dotted lines) and later removed while the coating is still tacky to create a straight edge and neat appearance

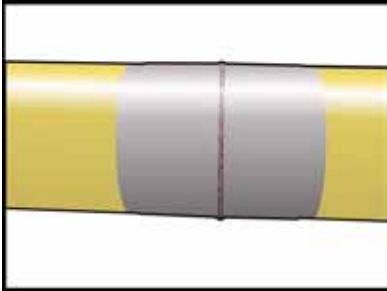
***Note:** Powercrete R-95 may be applied and cured at colder environmental temperatures if the pipe is heated during the application and cure..

11



11. Use a Wet Film gauge to measure that the desired minimum thickness has been achieved. Double check around the weld to insure minimum desired thickness.

12



12. The curing rate* will vary according to pipe and ambient application temperature. Refer to curing rate chart to determine when to perform a Shore D check.

Storage

For optimum performance, store Powercrete® Epoxy products in a dry, well-ventilated area. Maintain products in original packaging and sealed until just before use. Avoid exposure to direct sunlight, rain, snow, dust or other adverse environmental conditions or contaminants.

NOTE: Avoid prolonged storage at temperatures above 40°C (104°F) or below 5°C (40°F).

Safety Guidelines

Important: Read the MSDS prior to using the products. Product installation should be done in well-ventilated area and in accordance with local health and safety regulations. These application guidelines are intended as a guide for standard products. Consult your Berry Plastics representative for specific projects or unique applications.

Berry Plastics warrants that the product conforms to its chemical and physical description and is appropriate for the use stated on the technical data sheet when used in compliance with Berry Plastics written instructions. Since many installation factors are beyond the control of Berry Plastics, the user shall determine the suitability of the products for the intended use and assume all risks and liabilities in connection herewith. Berry Plastics liability is stated in the standard terms and conditions of sale. Berry Plastics makes no other warranty either expressed or implied. All information contained in this technical data sheet is to be used as a guide and is subject to change without notice. This technical data sheet supersedes all previous data sheets on this product.



CORROSION PROTECTION GROUP
www.berrycpg.com

Local Distributor / Representative:

For contact details of local Distributors / Representatives
Please visit www.berrycpg.com.

Headquarters : Berry Plastics Tapes & Coatings Division, Franklin MA, USA

Franklin, MA, USA

Tel: +1 508 918 1714
US Toll Free: +1 800 248 0149
Fax: +1 508 918 1910
CPG@berrypastics.com

Houston, TX, USA

Tel: +1 713 676 0085
US Toll Free: 01 888 676 7202
Fax: +1 713 676 0086
CPGH@berrypastics.com

Tijuana, Mexico

Tel USA +1 858 633 9797
Fax US: +1 858 633 9740
Tel Mexico: +52 664 647 4397
Fax Mexico: +52 664 647 4370
CPGTJ@berrypastics.com

Aarschot, Belgium

Tel: +32 16 55 36 00
Fax: +32 16 55 36 74
CPGE@berrypastics.com

Baroda, India

Tel: +91 2667 264721
Fax: +91 2667 264724
CPGIN@berrypastics.com